

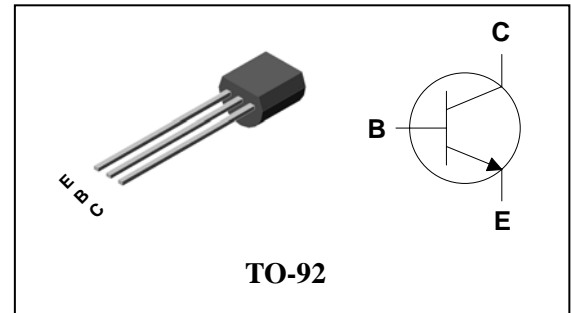
Descriptions

- General small signal application
- Switching application

Features

- Low collector saturation voltage
- Collector output capacitance
- Complementary pair with 2N3906

PIN Connection



Ordering Information

Type NO.	Marking	Package Code
2N3904	2N3904	TO-92

Absolute maximum ratings

Ta=25°C

Characteristic	Symbol	Ratings	Unit
Collector-Base voltage	V_{CBO}	60	V
Collector-Emitter voltage	V_{CEO}	40	V
Emitter-base voltage	V_{EBO}	6	V
Collector current	I_C	200	mA
Collector dissipation	P_C	625	mW
Junction temperature	T_j	150	°C
Storage temperature range	T_{stg}	-55 ~ 150	°C

Electrical Characteristics

Ta=25°C

Characteristic	Symbol	Test Condition	Min.	Typ.	Max.	Unit
Collector-Base breakdown voltage	BV_{CBO}	$I_C=10\mu A, I_E=0$	60	-	-	V
Collector-Emitter breakdown voltage	BV_{CEO}	$I_C=1mA, I_B=0$	40	-	-	V
Emitter-Base breakdown voltage	BV_{EBO}	$I_E=10\mu A, I_C=0$	6	-	-	V
Collector cut-off current	I_{CEX}	$V_{CE}=30V, V_{EB}=3V$	-	-	50	nA
DC current gain	h_{FE}	$V_{CE}=1V, I_C=10mA$	100	-	300	-
Collector-Emitter saturation voltage	$V_{CE(sat)}$	$I_C=50mA, I_B=5mA$	-	-	0.3	V
Transition frequency	f_T	$V_{CE}=20V, I_C=10mA, f=100MHz$	300	-	-	MHz
Collector output capacitance	C_{ob}	$V_{CB}=5V, I_E=0, f=1MHz$	-	-	4	pF
Delay time	t_d	$V_{CC}=3V_{dc}, V_{BE(off)}=0.5V_{dc}, I_C=10mA_{dc}, I_{B1}=1mA_{dc}$	-	-	35	ns
Rise time	t_r		-	-	35	ns
Storage time	t_s	$V_{CC}=3V_{dc}, I_C=10mA_{dc}, I_{B1}=I_{B2}=1mA_{dc}$	-	-	200	ns
Fall Time	t_f		-	-	50	ns

Electrical Characteristic Curves

Fig. 1 P_C - T_a

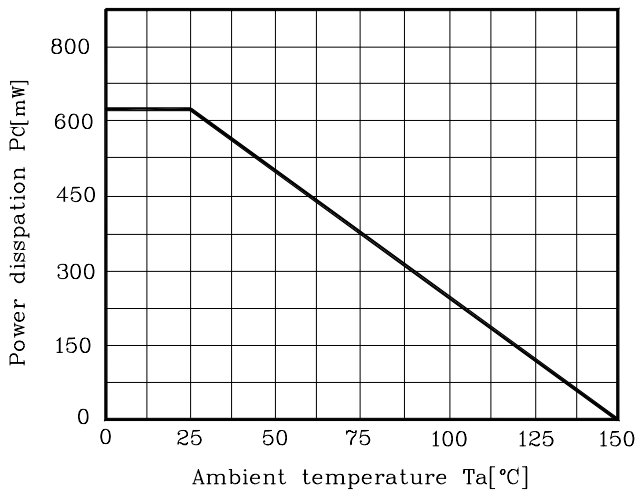


Fig. 2 h_{FE} - I_C

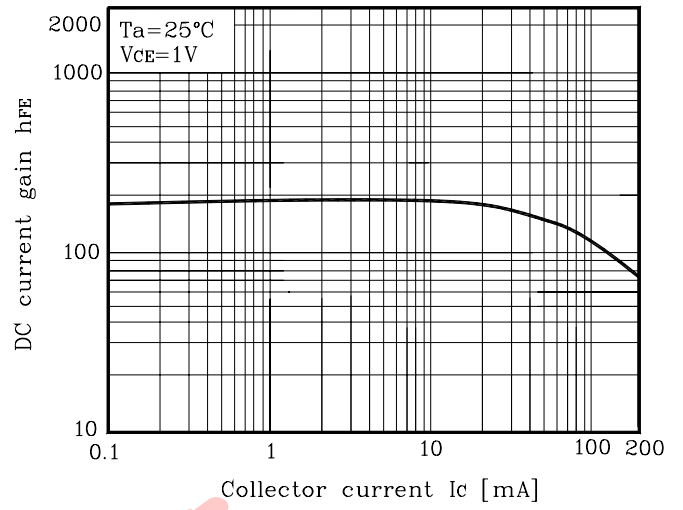
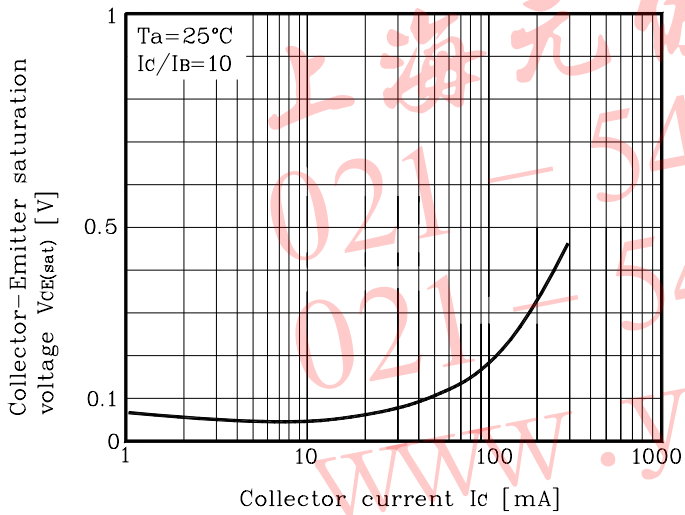
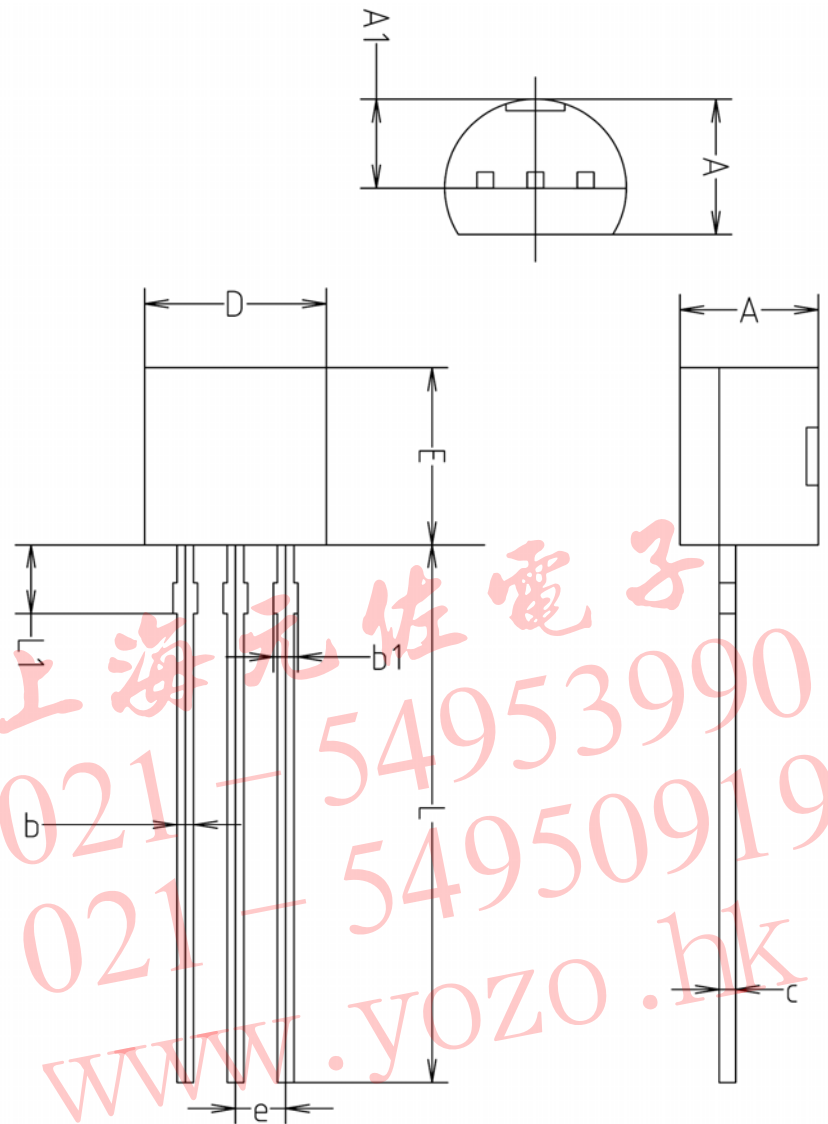


Fig. 3 $V_{CE(sat)}$ - I_C



上海元佐電子
 021-54953990
 021-54950919
 WWW.YOZO.HK

Outline Dimension



SYMBOL	MILLMETERS(mm)		
	MINIMUM	NOMINAL	MAXIMUM
A	3.40	3.50	3.66
A1	2.46	2.51	2.59
b	0.39	0.44	0.53
b1	0.39	—	0.63
c	0.35	0.42	0.47
D	4.48	4.60	4.70
E	4.48	4.60	4.70
e	1.17	1.27	1.37
L	13.70	14.00	14.77
L1	1.55	1.70	2.15