

Description

It is Adaptable to a Discontinuous Mode of Operation that the S6503/P is Advanced PFC (Power Factor Correction) Controller for the High Density Switching Mode Power Supply and Electronic Ballast systems. The Bulky External components are eliminated in the Internal Start-up circuits, though it is taken in Independent Boost Converter Operation. What is more, instead of the External components, the Low Pass Filter is mounted in Internal Current Sense block. Internal Clamping of the Error Amplifier and Multiplier Output improve turn on Overshoot Characteristics and Current Limiting. The One of features is able to prevent Abnormal Condition, Open Lamp & Over Voltage.

Features

- Very Precise Adjustable Output OVP (Dynamic & Static OVP Function)
- Extremely Low Start-Up Current
- Low Operating Supply Current
- Internal Start-Up Timer
- Power Factor Maximizer & THD Minimizer Circuit
- Complete Wide Range Operation
- Feedback Open Protection
- Minimum On Timer
- Current Sense Filter On Chip
- Disable Function
- Extremely Minimized External Part Counts High Speed Response Time

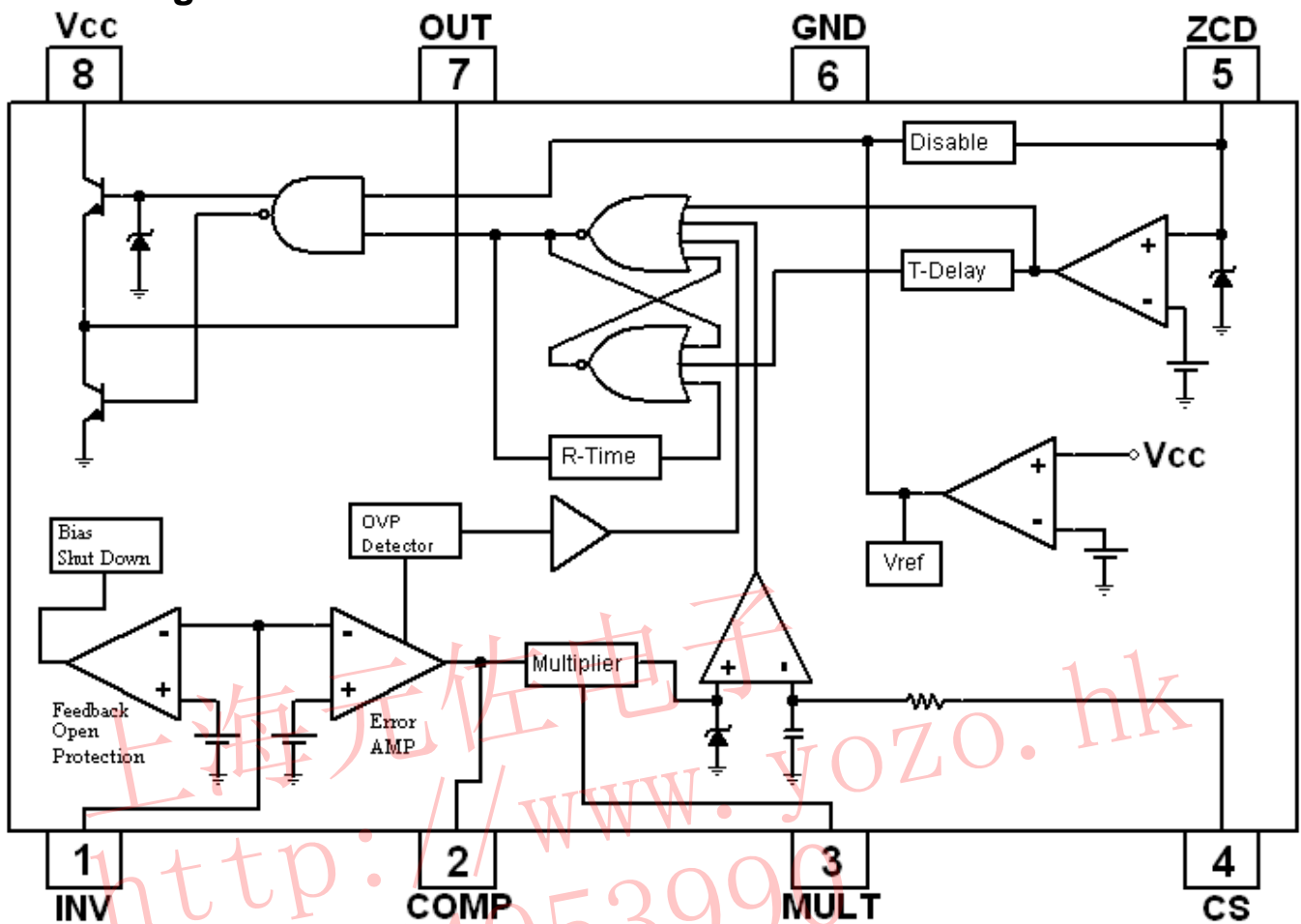
Applications

- Switching Mode Power Supply (SMPS)
- Electronic Ballast

Ordering Information

Type NO.	Marking	Package Code
S6503	S6503	SOP-8
S6503P	S6503	DIP - 8

Block Diagram



Pin Description

No	Symbol	I/O	Description
1	INV	I	Inverting Input of Error Amplifier
2	COMP	O	Output of Error Amplifier
3	MULT	I	Multiplier Input
4	CS	I	Current Sense Input
5	ZCD	I	Zero Current Detect
6	GND	-	Ground
7	OUT	O	Totem-Pole Output
8	VCC	-	Power Supply Voltage

Absolute Maximum Ratings

Characteristics	Symbol	Value	Unit	
Maximum Supply Voltage	V_{CCMAX}	27	V	
Output Peak Current	I_{PEAK}	± 500	mA	
Analog Input & Output (Pin 1,2,3,4,5)	V_{INMAX}	-0.3 ~ 7	V	
ZCD Input Maximum Current	I_{ZCD}	± 10	mA	
Power Dissipation	P_{DMAX}	SOP-8	600	mW
		DIP-8	800	
Operating Junction Temperature	T_j	-35 ~ 150	°C	
Storage Temperature	T_{stg}	-55 ~ 150	°C	

Electrical Characteristics

($T_a = -25^{\circ}\text{C}$ to 125°C , $V_{CC}=14\text{V}$ unless otherwise specified.)

Characteristics	Symbol	Test Condition	Min.	Typ.	Max.	Unit
Supply Voltage & Current Section						
V_{CC} Turn-On Threshold	$V_{CC(On)}$	V_{CC} Increasing	11	12	13	V
V_{CC} Turn-Off Threshold	$V_{CC(Off)}$	V_{CC} Decreasing	8.7	9.5	10.3	V
Hysteresis Voltage	HYS		2	2.5	3	V
Start-Up Current	I_{ST}	Before Turn-On	20	40	70	μA
Quiescent Current	I_Q	No Switching	1	4	6	mA
Operating Supply Current	I_{CC}	$C_L=1\text{nF}$, $f_{sw}=50\text{KHz}$	2	5	8	mA
Operating Current at OVP	I_{CC_OVP}	$V_{INV}=2.7\text{V}$	0.5	2	4	mA
Operating Current at Disable	I_{CC_DIS}	$V_{ZCD}<150\text{mV}$	0.5	2	4	mA
Error Amplifier Section						
Input Voltage	V_{INV}	$T_a=25^{\circ}\text{C}$	2.465	2.5	2.535	V
Line Regulation	dV_{INV}	$V_{CC}=12 \sim 27\text{V}$	-	0.1	5	mV
Input Bias Current	I_{INV}		-0.5	-0.1	0.5	μA
Open Loop Gain	A_V		60	80	-	dB
Gain Bandwidth	GB		-	1	-	MHz
Output Source Current	I_{SOURCE}	$V_{COMP}=4\text{V}$, $V_{INV}=2.4\text{V}$	-2	-4	-	mA
Output Sink Current	I_{SINK}	$V_{COMP}=4\text{V}$, $V_{INV}=2.6\text{V}$	3	5	-	mA
Upper Clamp Voltage	V_{UPPER}	$I_O=-100\mu\text{A}$, $V_{INV}=2.4\text{V}$	-	5.6	-	V
Lower Clamp Voltage	V_{LOWER}	$I_O=100\mu\text{A}$, $V_{INV}=2.6\text{V}$	-	2.25	-	V
Feedback Open Protection Threshold Voltage	V_{fo}	V_{INV} Decreasing	150	200	250	mV

Electrical Characteristics (Continued)

($T_a = -25^{\circ}\text{C}$ to 125°C , $V_{CC}=14\text{V}$ unless otherwise specified.)

Characteristics	Symbol	Test Condition	Min.	Typ.	Max.	Unit
Multiplier Section						
Linear Operating Voltage	V_{MULT}		2.8	3.2	-	V
Output Maximum Slope	dV_{CS}/dV_{MULT}	$V_{MULT} = 0.5 \sim 0.9\text{V}$, $V_{COMP} = \text{Upper Clamp}$	1.3	1.5	1.7	V/V
Mltiplier Gain	K	$T_a=25^{\circ}\text{C}$, $V_{MULT}=1\text{V}$ $V_{COMP}=3.5\text{V}$	0.5	0.65	0.75	1/V
Current Sense (CS) Section						
Reference Clamp Voltage	V_{CS}	$V_{MULT}=2.5\text{V}$, $V_{COMP}=\text{Upper Clamp}$	1.65	1.75	1.85	V
Input Bias Current	I_{CS}	$V_{CS} = 0 \sim 1.6\text{V}$	-0.5	-0.1	0.5	μA
Delay to Output	$T_{d(H-L)}$		-	200	-	ns
Zero Current Detector (ZCD) Section						
Input Threshold Voltage	V_{ZCD}	V_{ZCD} Increasing	1.8	2.1	2.4	V
Hysteresis Voltage	$HY(ZCD)$		-	0.5	-	V
Upper Clamp Voltage	$V_{CLAMP(H)}$	$I_{ZCD} = 3\text{mA}$	48	5.4	6	V
Lower Clamp Voltage	$V_{CLAMP(L)}$	$I_{ZCD} = -3\text{mA}$	0.3	0.6	-	V
Input Bias Current	I_{ZCD}	$V_{ZCD} = 1 \sim 3\text{V}$	-	1	-	μA
Source Current	$I_{SOURCE(ZCD)}$		-3	-	-	mA
Sink Current	$I_{SINK(ZCD)}$		3	-	-	mA
Disable Input Voltage	V_{DIS}	V_{ZCD} Decreasing	150	200	250	mV
Reset Current after Disable	I_{DIS}	Pin5 = 0V	-30	-80	-	μA
Restart Timer Section						
Restart Time Delay	t_{rst}		70	130	300	μs

Electrical Characteristics (Continued)

(Ta = -25°C to 125°C, Vcc=14V unless otherwise specified.)

Characteristics	Symbol	Test Condition	Min.	Typ.	Max.	Unit
Output Section						
Output High Voltage	V _{OH}	I _O = -10mA	10.5	11.5	12.5	V
		I _O = -100mA	10	11	12	V
Maximum Voltage	V _{OMAX}	V _{CC} = 20V, I _O = -1mA	11	13	15	V
Output Low Voltage	V _{OL}	I _O = 10mA	-	0.1	1	V
		I _O = 100mA	-	1.2	2.5	V
Output Voltage with UVLO Activated	V _{O(UV)}	I _O = 1mA	-	-	1	V
Minimum On Time	T _{ON(MIN)}		-	150	1	ns
Output Rising Time	t _r	C _L = 1nF	-	50	-	ns
Output Falling Time	t _f	C _L = 1nF	-	50	-	ns
Over Voltage Protector (OVP) Section						
Dynamic OVP Current	I _{OVP}		35	40	45	μA
Dynamic OVP Current Hysteresis	I _{OVP(HYS)}		-	30	-	μA
Static OVP Threshold Voltage	V _{OVP}	V _{INV} = 2.7V	2.1	2.25	2.4	V

Application Information

1. Main Inductor

$$L = \eta \times (V_O - V_P) \times V_P^2 / (4V_O \times P_O \times f)$$

Where,

η : Efficiency (0.95)

V_O : DC Link Voltage

V_P : Input Peak Voltage

P_O : Output Power

f : Switching Frequency

2. Resistor for Current Sense

$$R_S = 1.75 / I_{LP}$$

Where,

I_{LP} : Inductor Peak Current

3. Resistor for Multiplier

$$R_{ML} < 0.69 \times R_{MU} / (V_P - 0.69)$$

Where,

R_{MU} : Under Resistor for Multiplier Input

R_{ML} : Lower Resistor for Multiplier Input

4. Resistor for Error Amplifier

$$R_{EL} = 2.5 \times R_{EU} / (V_O - 2.5)$$

Where,

R_{EU} : Under Resistor for Error Amplifier Inverting Input

R_{EL} : Lower Resistor for Error Amplifier Inverting Input

5. Over Voltage Protector (OVP)

$$\Delta V_O = R_{EU}[\Omega] \times 40[\mu A]$$

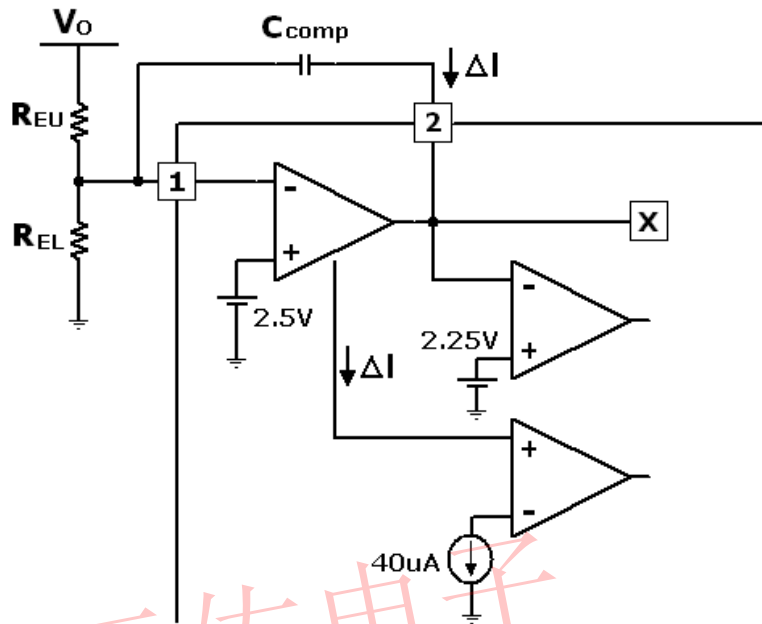


Fig.1 Over Voltage Protection Circuit

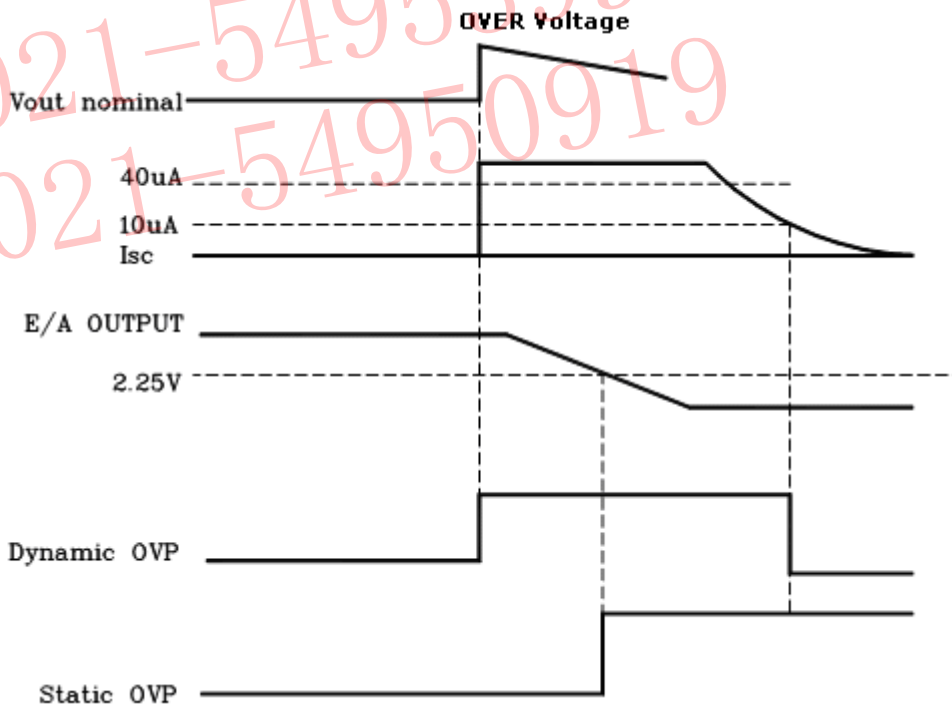
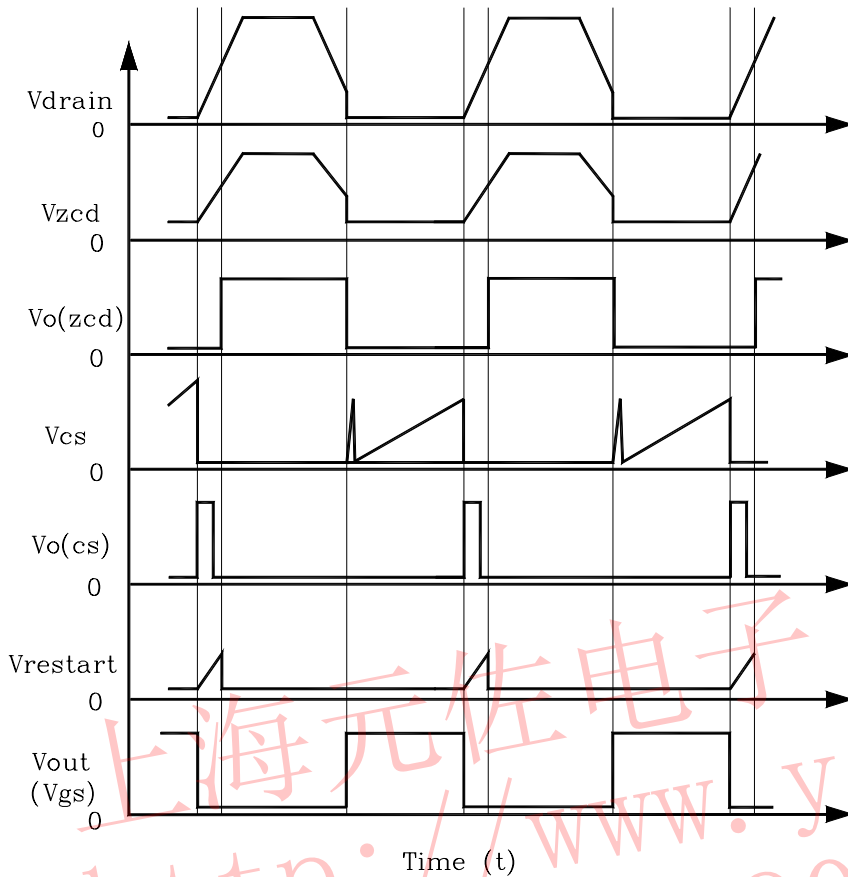
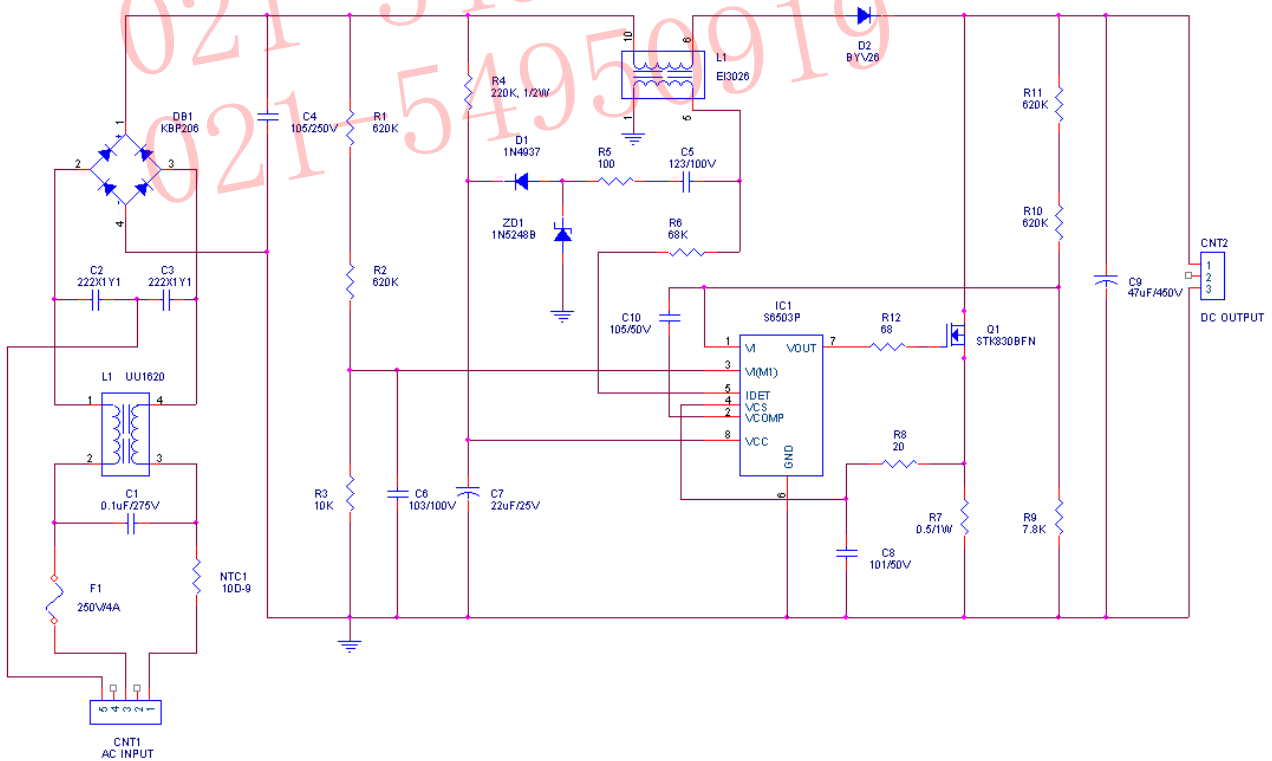


Fig.2 OVP Operating Timing Chart

Operating Timing Chart



Typical Application Circuit (85VAC ~ 265VAC, 80W)



Electrical Characteristic Curves

Fig.1 Operating Supply Current

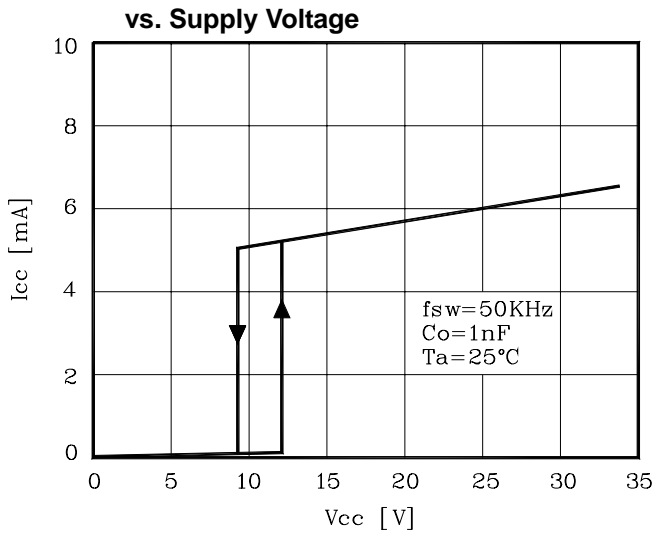


Fig.2 Start-Up Current vs. Supply Voltage

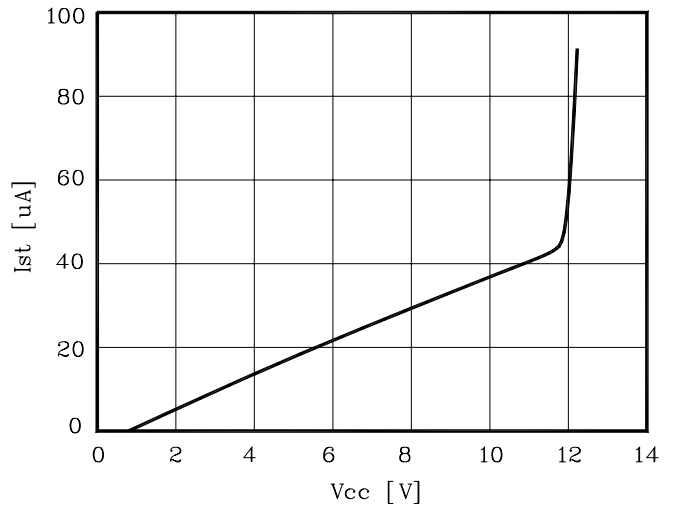


Fig.3 Output Voltage

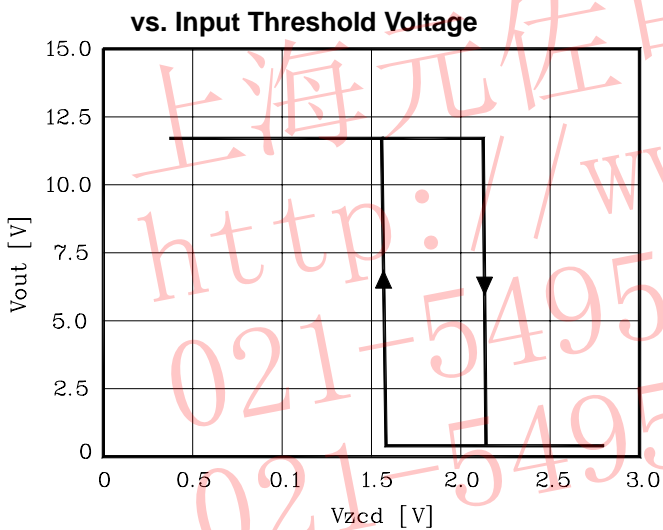


Fig.4 Output Voltage

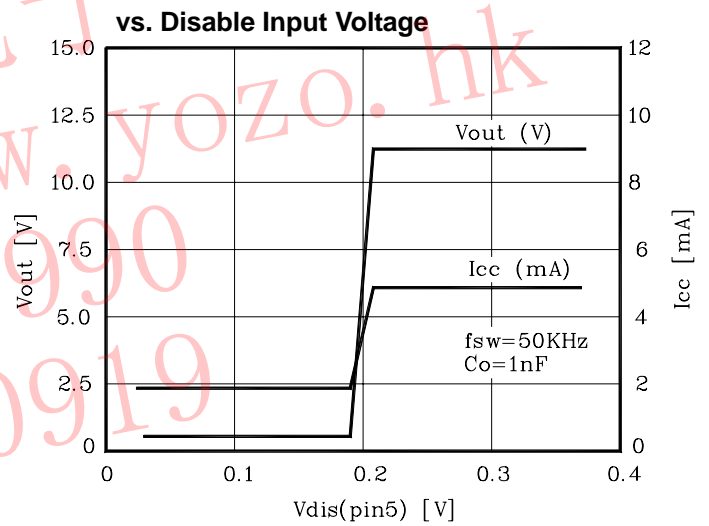


Fig. 5 Output Voltage vs. Input Voltage

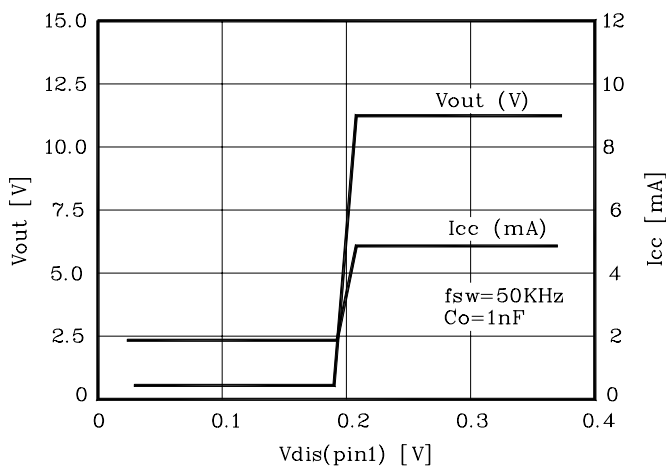


Fig.6 Reference Clamp Voltage

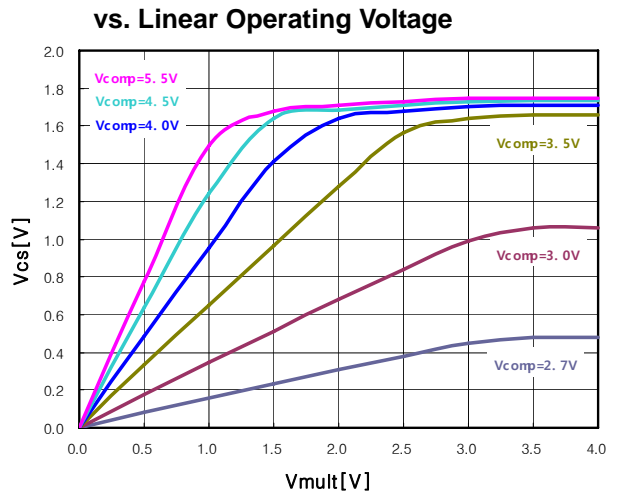


Fig.7 Output High Voltage

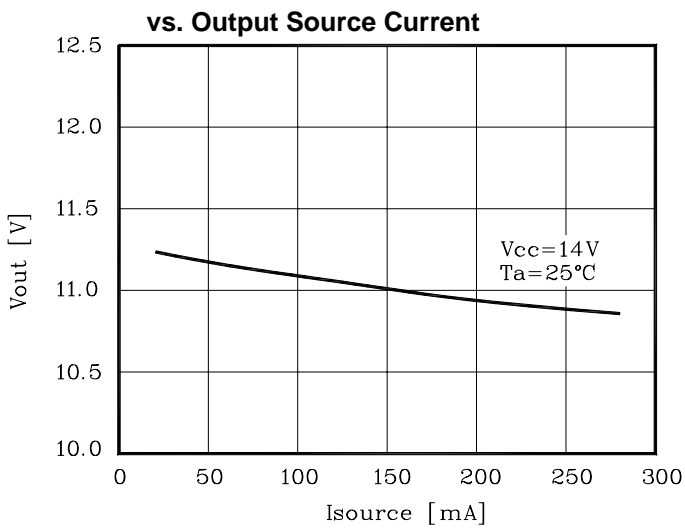


Fig.8 Output Low Voltage

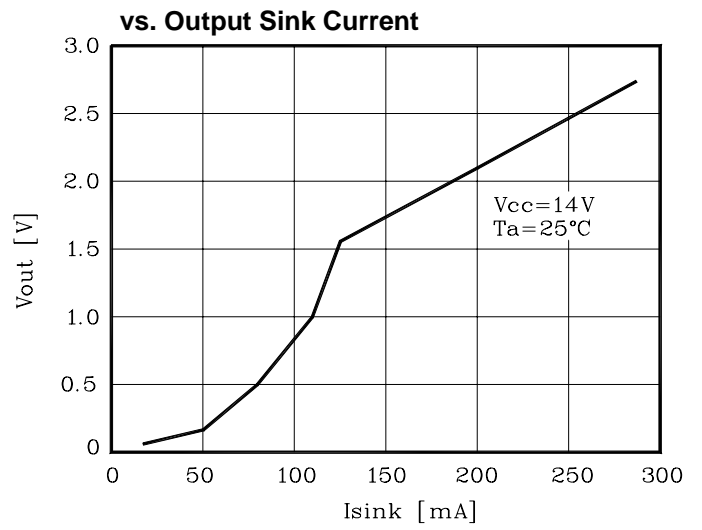


Fig.9 Operating Supply Voltage

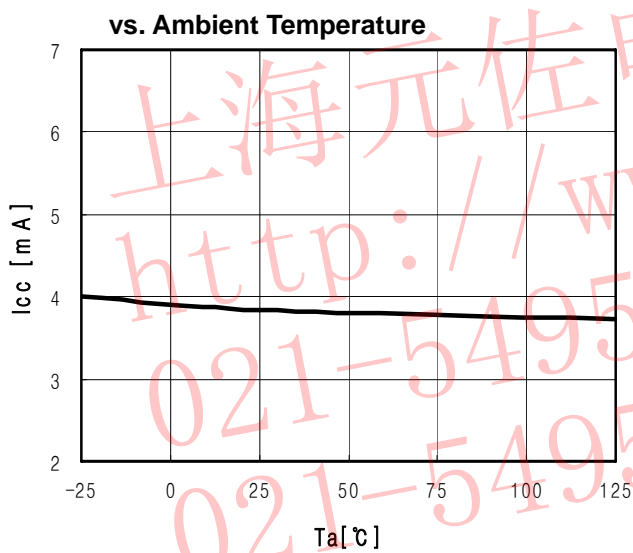


Fig.10 Multiplier Gain vs.

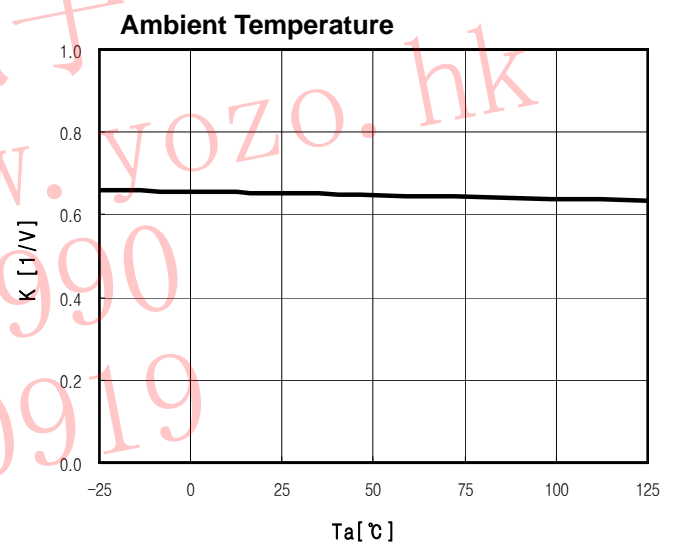


Fig.11 Output High Voltage

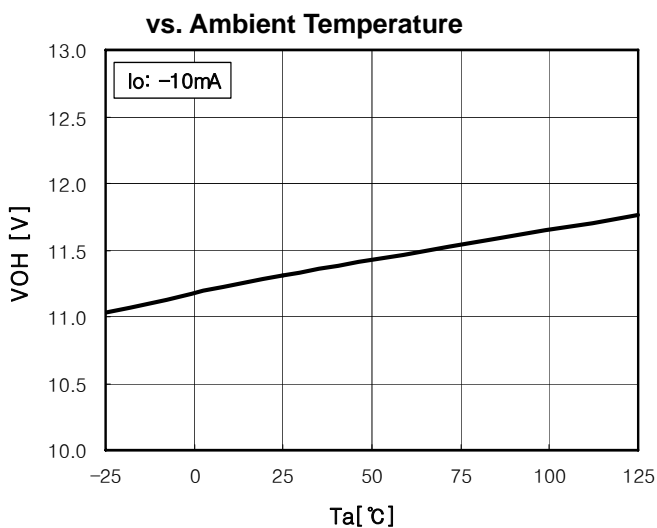


Fig.12 Output Low Voltage

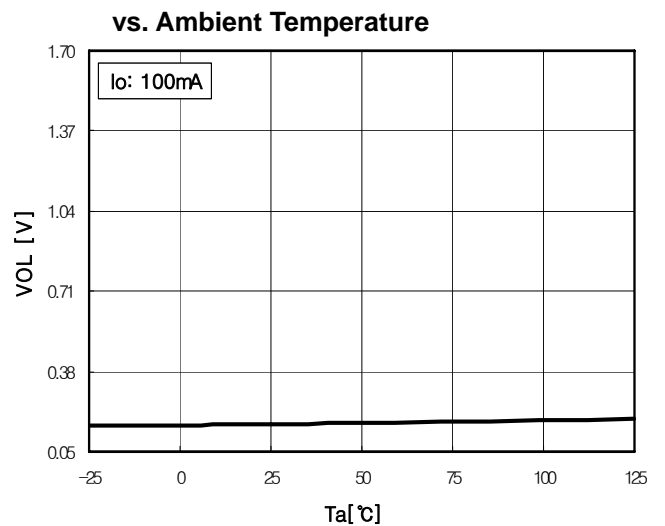


Fig.13 Output Maximum Slop

vs. Ambient Temperature

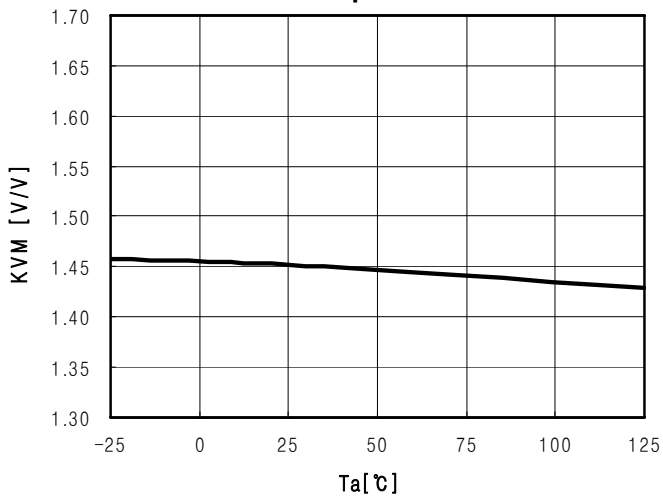
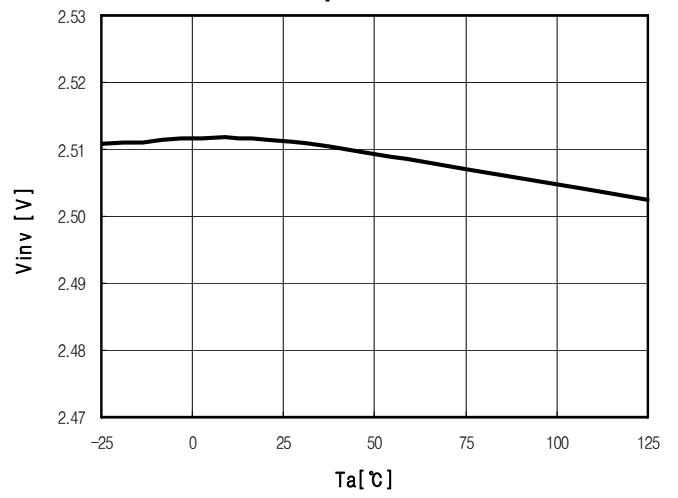


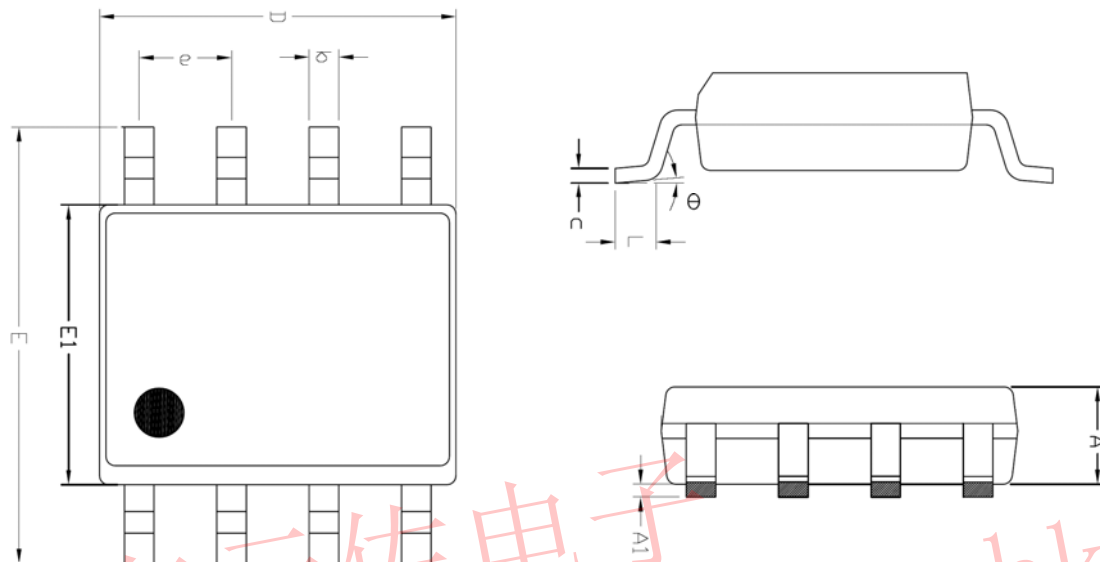
Fig.14 Input Voltage

vs. Ambient Temperature



上海元佐电子
<http://www.yozo.hk>
 021-54953990
 021-54950919

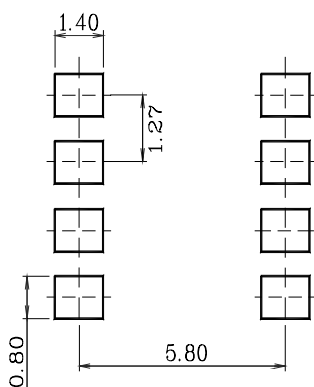
Outline Dimension (Unit : mm)



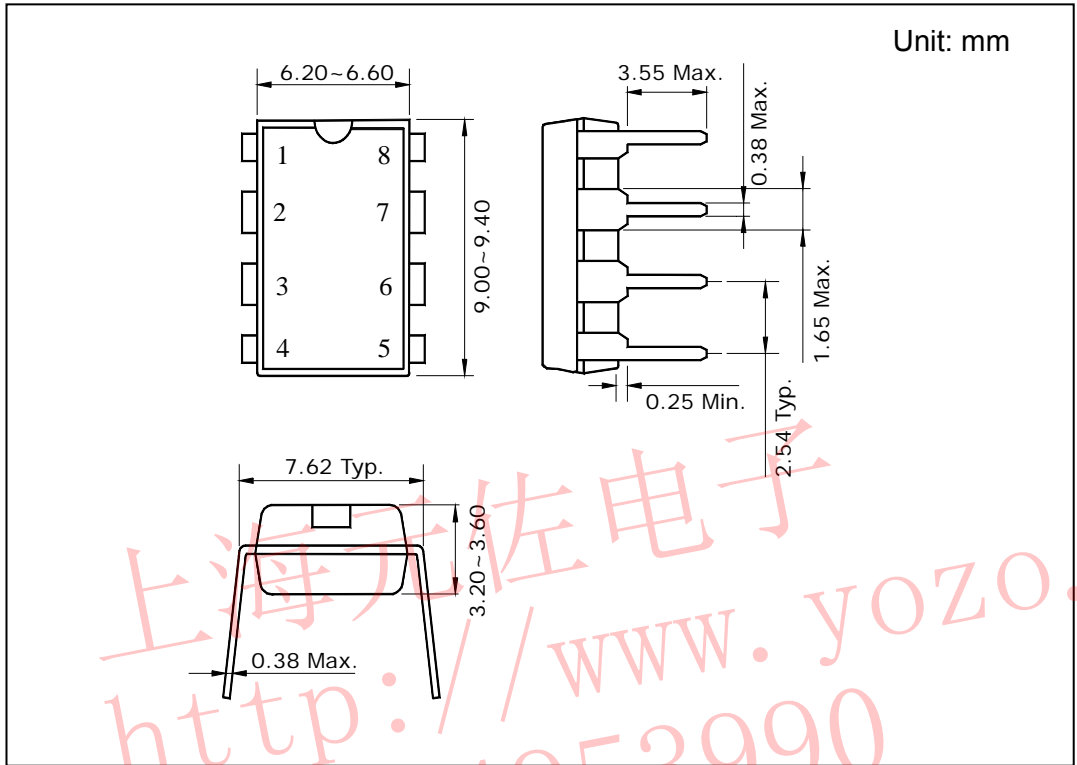
上海元佐电子
<http://www.yozo.hk>
 021-54939910
 021-54950910

SYMBOL	MILLIMETER(mm)			NOTE
	MINIMUM	NOMINAL	MAXIMUM	
A	1.245	-	1.445	
A1	0.125	0.175	0.275	
b	0.320	0.420	0.520	
c	0.170	0.220	0.270	
D	4.802	4.902	5.002	
E	5.870	6.020	6.170	
E1	3.761	3.861	3.961	
e	1.270 BSC			
L	0.462	0.562	0.662	
theta	0 °	-	8 °	

※ Recommend PCB solder land (Unit : mm)



Outline Dimensions



上海元左电子
http://www.yozo.hk
021-54953990
021-54950919